

Description : GRAPH-I-CELL

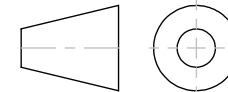
Code : AL1032

Scale : 1:3

SHEET 1 OF 4

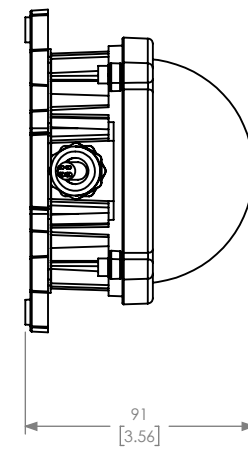
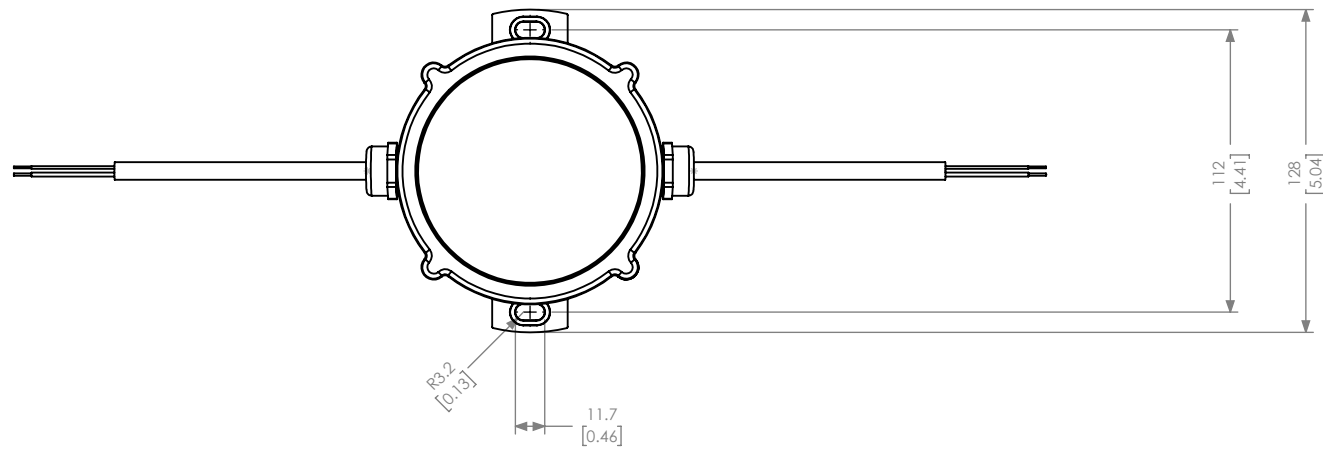
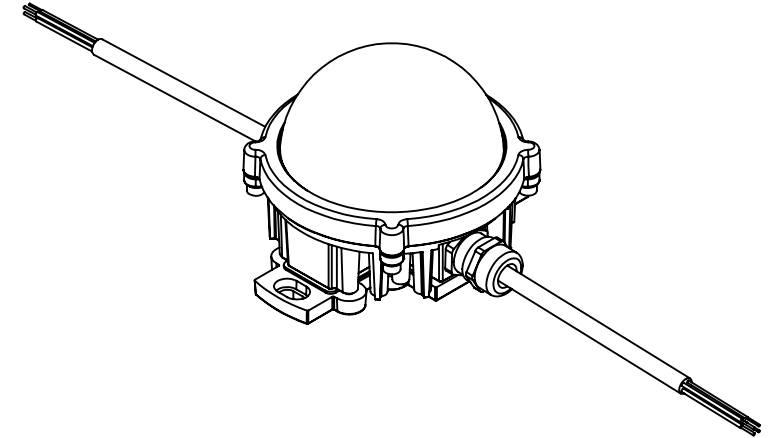
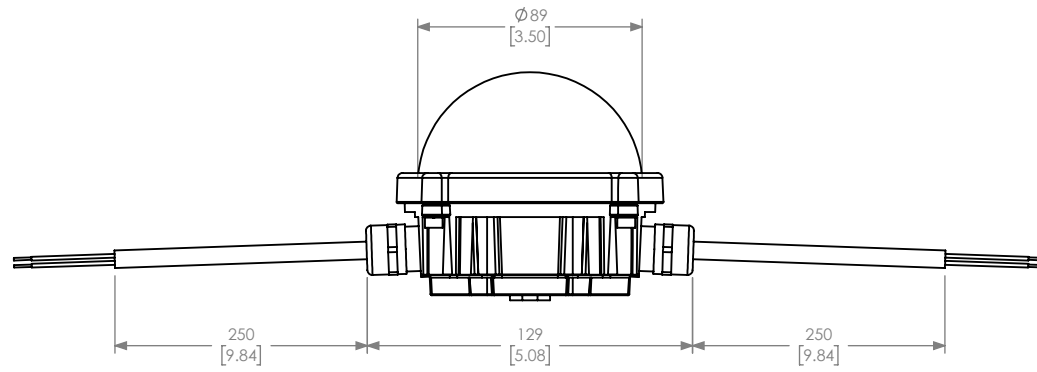
Revision : 01

DIMENSIONS ARE IN MILLIMETERS [BRACKETED DIMENSIONS ARE IN INCHES]



GRIVEN 

<http://www.griven.com>



Description : GRAPH-I-CELL

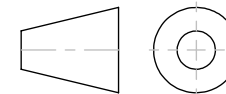
Code : AL1032

Scale : 1:3

SHEET 2 OF 4

Revision : 01

DIMENSIONS ARE IN MILLIMETERS [BRACKETED DIMENSIONS ARE IN INCHES]



GRIVEN 

<http://www.griven.com>